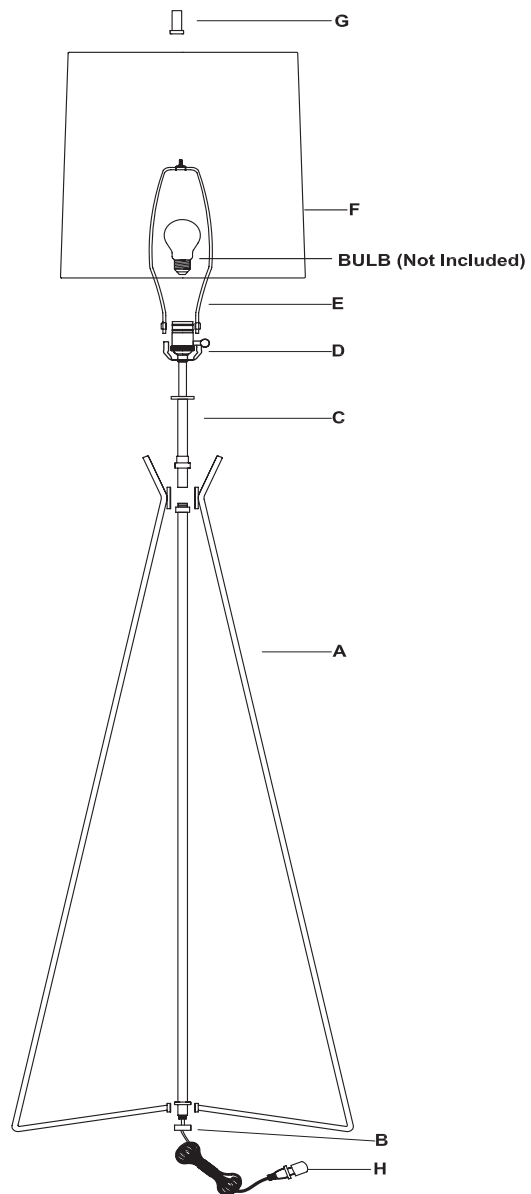


ASSEMBLY INSTRUCTIONS



Tavares Large Floor Lamp

Item # TOB1390

INSPECT ITEM CAREFULLY BEFORE ATTEMPTING TO INSTALL. IF THERE IS ANY DAMAGE OR OBVIOUS DEFECT, DO NOT INSTALL. ITEM MAY NOT BE RETURNED ONCE IT HAS BEEN INSTALLED.

*** (It is strongly recommended that 2 people complete the assembly of this item) ***

1. Carefully remove all parts from box.
2. Install bended frames (A) to centre body.
3. Hold bended frames (A) while another people secure bended frames (A) by arm (C).
4. Secure bended frames (A) to centre body at bottom by finial (Cap).
5. Install harp (E) onto saddle (D).
6. Put shade (F) onto harp (E) and fix by finial (G).
7. Insert bulb (not included) into the socket.
8. Remove protective plug cover (H) from the plug.
9. Plug into a proper electrical outlet and test the fixture.
10. Installation is complete.

*** Clean with a dry, soft cloth only. Do not use harsh abrasives or chemical agents.

