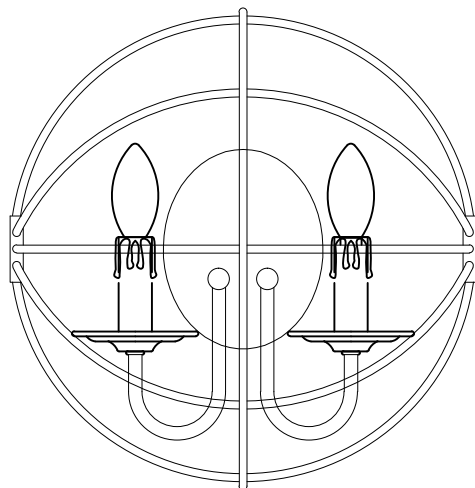


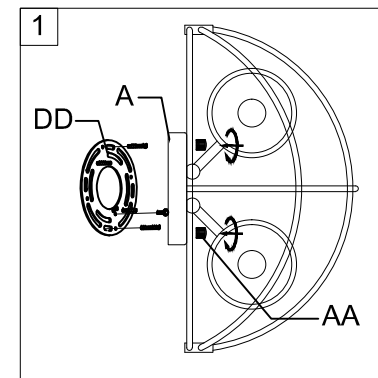
Trade Mark:  
CRYSTAL WORLD INC

Product Name: Wall lamp  
Model :5464W14DB-2  
120Vac, 60Hz,AC ONLY  
Lamp Size:W14"\*H14"\*E8"





## WALL LAMP ASSEMBLY INSTRUCTIONS


1.Place fixture(A)onto mounting screws (DD).Secure with cap nuts (AA).

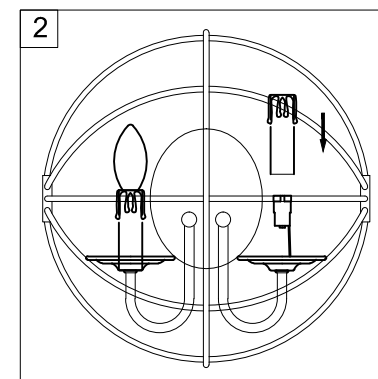



### Hardware Used

DD Mounting screw   
AA Cap nut 

2.Please fix(B) with (A) .

B  
  
2PCS



3.Install bulbs ( NOT INCLUDED).  
USE  
120V E12  2\*60W Max.

