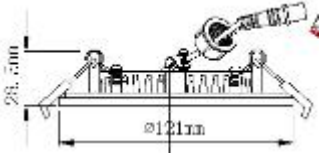
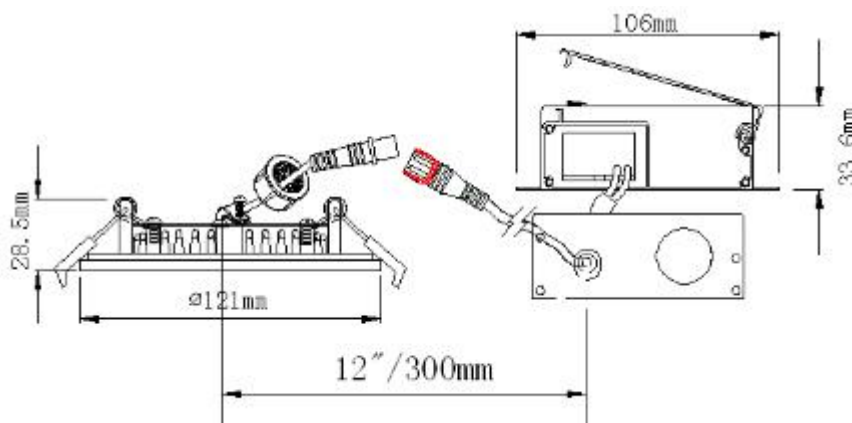


4"Led round Panel light Specification

4"Led round Panel light	Project:		
	Location:		
	Trim Finish:		
	Notes:		
	Qty:		

<u>DESCRIPTION</u>	<u>SPECIFICATION</u>	
Recessed 4" Round LED With Integral Driver In Connection Box.	Applications	Recessed Ceiling Mount
	Energy Used	10W
	Colour Temperature	3000° K
	Chip brand	Epistar
	Chip size	17*34 mil
<u>FEATURES & BENEFITS</u>	Light Output	560 lm
1/2" Thin - Install Directly Under Joists, Maximum Layout Flexibility	Halogen Equivalent	50 W
Type IC Rated - No Housing Required	Beam Angle	105°
Fast & Easy To Install - Save On Labour	CRI	80.4
Driver Inside Connecton Box - No Junction Box Needed	Driver Input	120V AC /60 Hz
	Power Factor	0.94
<u>MOUNTING</u>	Dimming	TRIAC Dimmers 10% - 100% (120V only)
Cut Hole In Ceiling And Snap Fixture In Opening With Attached Spring Clips.	Approved Location	Insulated Ceiling & Damp Locations
	Air Tight	Yes
	Ambient Temperature	-40°F (-40°C) to +104°F (+40°C)
	Projected Life	70% Light Output at 50,000 Hours
2" Above Ceiling Clearance Required For Driver.	Certification	ETL ENERGY START
	Warranty	5 Year on Fixture & Driver

COMPLIANCE:



CHARACTERISTICS

Body: Durable, Die Cast Aluminum Alloy for Optimal Heat Dissipation.

Paint: Oil Based Spray Painted - Scratch Resistant And Smooth Finish.

LEDs: 35 Pieces Of Custom Packaged LM80 Epistar 2835. Guaranteed 98% Lumen Maintenance After 6,000 Hours. Strict Binning To Ensure Consistent Light Colour.

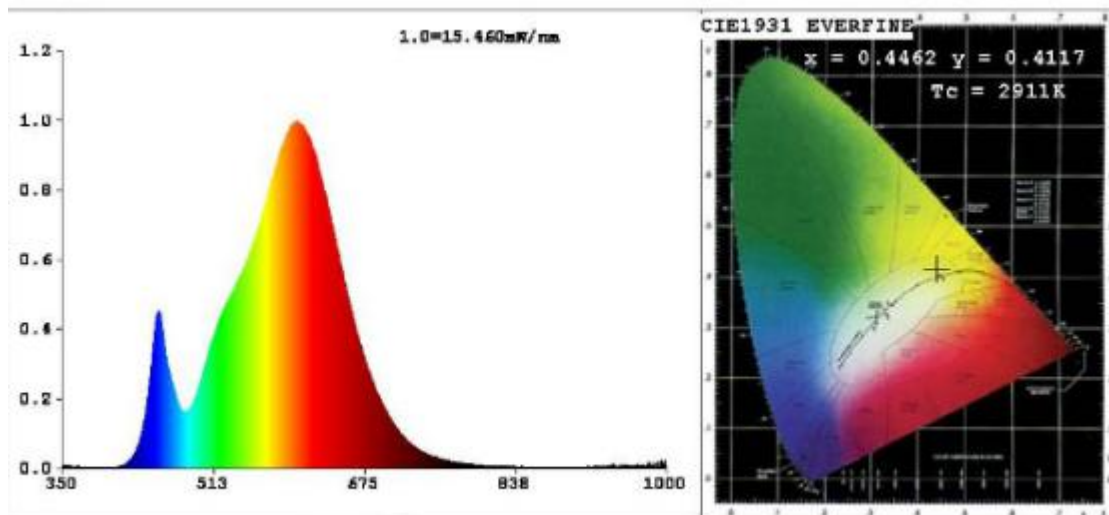
Driver: PI-ALT IC, pass UL, Triac dimmable.

Connection Box: Saves Contractors Labour In Installation On Every Job.

Testing: Every Single Driver Is Powered For Minimum 24 Hours Together With The Fixture That It Is Shipped With.

Every LED Is Visually Checked Before And After The PCB Is Mounted On The Fixture. No Random Tests - We Hand Test Every Fixture & Driver.

PHOTOMETRIC DATA



Color Parameters:

Chromaticity Coordinates :x=0.4462 y=0.4117/u'=0.2533 v'=0.5257

Correlated Color Temperature :Tc=2911K (Color Difference Duv=0.00128) Main Wavelength :λd=582.6nm Color Purity: =57.5%

Color Than :R=23.0% G=74.7% B=2.2% Peak Wavelength :λp=602.5nm Half Width :FWHM=125.6nm

Color Rendering Index :Ra=80.4

R1 =78 R2 =89 R3 =97 R4 =78 R5 =78 R6 =86 R7 =82

R8 =56 R9 =0 R10=74 R11=75 R12=64 R13=80 R14=99 R15=71

Photometric Parameters:

Luminous Flux $\Phi = 744.4$ lm Photosynthetic efficiency : 79.2 lm/W Radiation Flux $\Phi_e = 2.244$ W
Electrical Parameters:
Voltage = 121.4 V Current(A) I = 0.082 A Power =9.4 W Power Factor = 0.939
Classification : OUT White Light Classification : ANSI_3000K